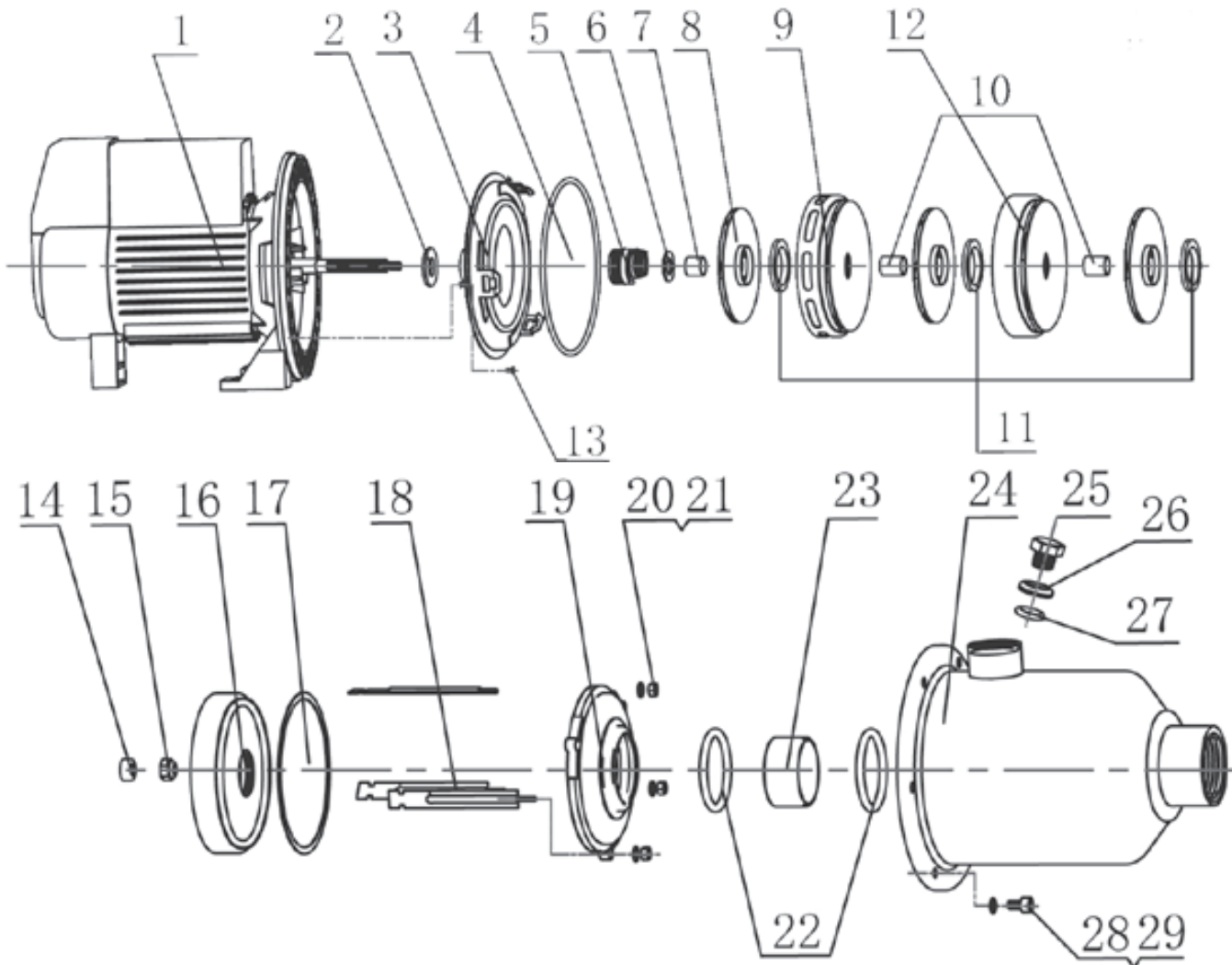


B-SERIES - PARTS DIAGRAM

BT20-30 With Torrium Controller
 BT14-45 With Torrium Controller
 BT20-40 With Torrium Controller



1. Motor Assembly

2. Slinger

3. Back Cover

4. Casing O-ring

5. Mechanical Seal

6. Mechanical Seal Plate

7. Shaft Sleeve

8. Impeller

9. Diffuser, Last Stage

10. Shaft Sleeve

11. Neck Ring

12. Diffuser

13. Back Cover Screw

14. Shaft Sleeve

15. Impeller Nut

16. Diffuser

17. Diffuser Gasket

18. Tension Bar

19. Front Cover

20. Tension Bar Washer

21. Tension Bar Nut

22. Inner Tube O-ring

23. Inner Tube

24. Casing

25. Prime/Drain Plug

26. Prime/Drain Plug
O-ring

27. Prime/Drain Plug
Washer

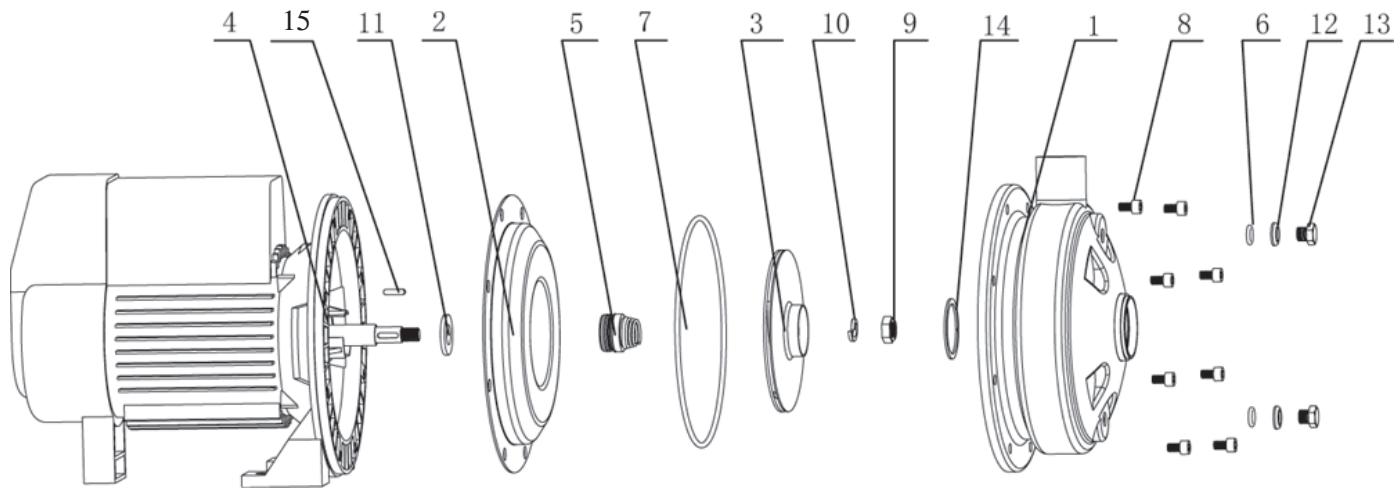
28/29. Casing Screws

PARTS DIAGRAM



Experts in water

BT14-30 With Torrium Controller BT30-30 With Torrium Controller



1. Front Casing	9. Impeller Nut
2. Back Cover	10. Impeller Nut Washer
3. Impeller	11. Slinger
4. Motor Assembly	12. Prime/Drain Plug O-ring
5. Mechanical Seal	13. Prime/Drain Plug
6. Prime/Drain Plug Washer	14. Neck Ring
7. Casing O-ring	15. Rotor Key
8. Casing Screw	