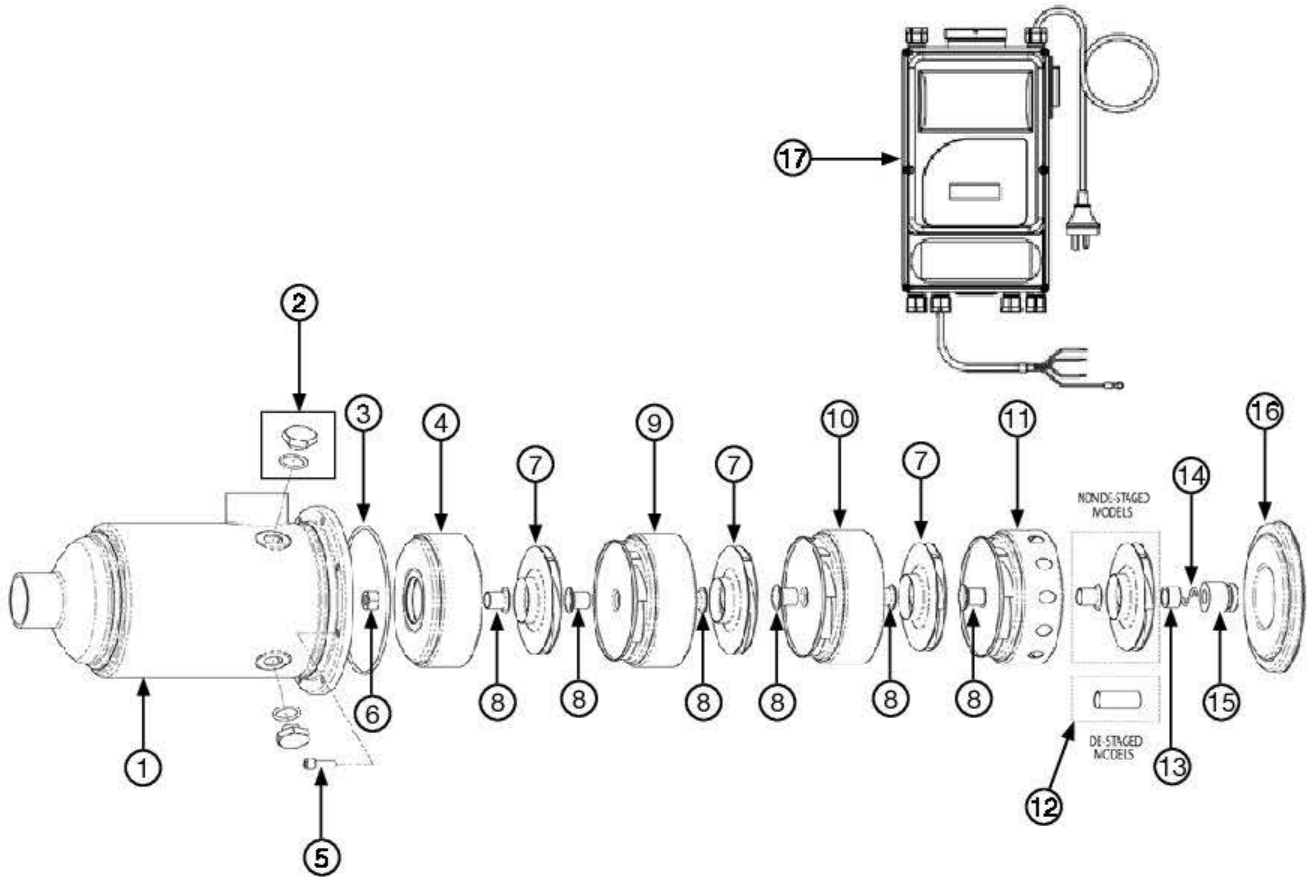


HORIZONTAL SS MULTISTAGE PUMPS

Speedman Compact	SMCHM60-10	SMCHM90-11
-------------------------	-------------------	-------------------



ITEM	NOTES	DESCRIPTION	QTY REQ'D	PART NO.	PRICE (AU\$)	
-		Motor - 1kW 240V	1	7051	843.80	ea
1		Casing - Front	1	13656-6SP	153.60	ea
2		Plug & O-ring - 1/4" BSP Vertical	3	400577SP	17.10	kit
3		O-ring - Casing	1	44853	13.70	ea
4		Stage body - 1st stage	1	13661-1	47.80	ea
5		Screw - Casing (pk8)	1	S34M0616*8	14.60	pkt
6		Nut - Casing 6mm s/s	1	N33M10*6	20.80	ea
6		Nut - Half	1	401573	1.30	ea
7		Impeller SMCHM60-10	8	13678	44.00	ea
7		Impeller SMCHM90-11	5	13676	44.00	ea
8		Spacer - Impeller	As required	13685	3.20	ea
9		Stage Body - 2nd stage with valve assy	1	32912	74.70	ea
10		Stage body - Inner stages	3	13662-2	88.70	ea
11		Stage body - Final	1	13663	62.20	ea
12		Spacer - Deastage	1	13696-1	4.50	ea
13		Washer - Cup	1	13666	3.20	ea
14		Clip spring	2	13667	4.00	ea
15		Seal - Mechanical	1	400558SP	99.80	ea
16		Backplate	1	13660	19.20	ea
17		Speedman Compact Controller	1	SNC1-3	1399.00	ea
		Cable & Sensor (Pre 2013 models)	1	403335	16.40	ea
		Cable & Sensor (Post 2013)	1	403336	16.40	ea
		PCB - Water Pressure & Water Sensor (Pre 2013)	1	403337	550.00	ea
		PCB - Water Pressure & Water Sensor (Manuf 2013-2016)	1	403338	550.00	ea
		PCB - Water Pressure & Water Sensor (Built 2016+)	1	403339	550.00	ea
		Flux Valve	1	403340	14.60	ea
		Flux Valve Base	1	403341	28.70	ea
		Spring Valve	1	403342	6.50	ea
		O-ring Kit	1	32998	9.50	ea
		Adaptor 1.5"/2.5" BSP	1	14200	6.60	ea
		Coupling Assy	1	32320-1SP	21.00	ea